

We'll take you to the top

SCAFFOLDING PRODUCTS



Easy

Fast

Safe



ČERVINKA s.r.o.
NAŠE SLUŽBY – VAŠE BEZPEČNOST

ČERVINKA 
CZECH REPUBLIC S.R.O.



Official distributor for Czech republic

130 years of experience

Type 47 Aluminium mobile tower

These versatile aluminium mobile towers from just became our hit sale. Thanks to the two platforms located next to each other - useful width of 1,20 m - and three standard lengths, they can be applied in almost any field.

Universal:

European scaffolding Type 47 are completely reliable. With the help of the additional parts which can be built on, depending on the level of the ladder or they may be connected to each other. Therefore, the basic frame is not necessary.

Stable:

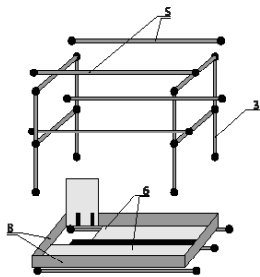
Highest safety and stability even with the smallest weight is achieved by aluminum pipes with extra special high-strength alloy. Pipe-diameter is 50.8 mm.

Tested safety:

European scaffolding is made in accordance to the European standards EN HD 1004, ÖNORM B 4007, DIN 4422, and received a positive evaluation from the Austrian authorized AUVA Control Department and the German society of professional builders (symbol GS).



| | | |
|------------------|--|-------------|
| Height | 2,5 m - 12 m (out of standard up to 22 m) | |
| Length | 1,85 m / 2,45 m / 3,05 m (other lengths possible on request) | |
| Width | 1,35 m + stabilizer | |
| Permissible load | 150 kg / m ² | max. 500 kg |

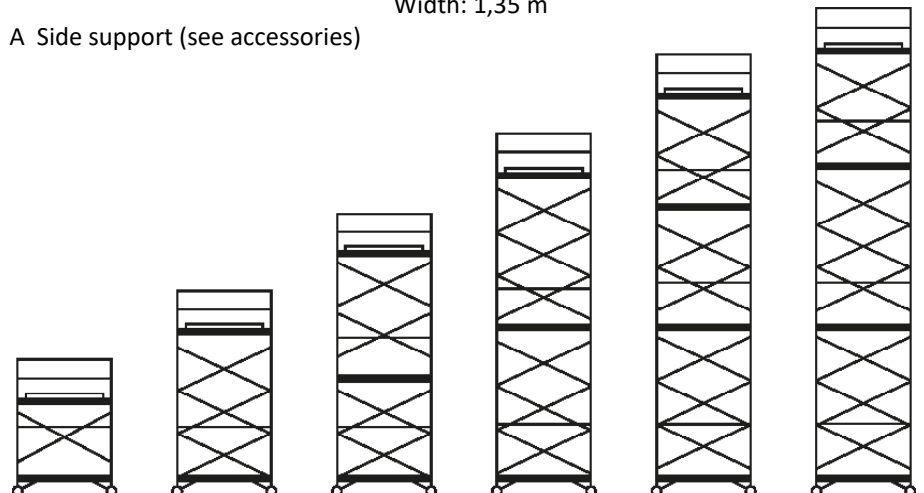
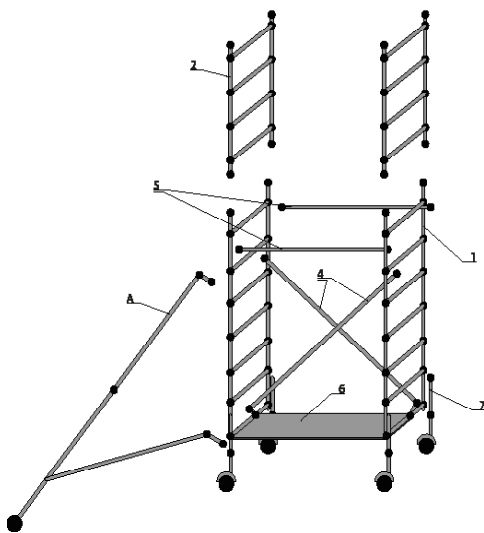


Parts type 47:

1. Basic mounting frame
2. Adjustable mounting frame
3. Railing frame
4. Diagonal strut
5. Horizontal strut
6. Aluminium platform

- | | | |
|---|---------------|---------------|
| Rungs: 7 pcs | Width: 1,35 m | Height: 2 m |
| Rungs: 4 pcs | Width: 1,35 m | Height: 1,1 m |
| Rungs: 2 pcs | Width: 1,35 m | Height: 1 m |
| For scaffolding lengths: 1,85 m / 2,45 m / 3,05 m | | |
| For scaffolding lengths: 1,85 m / 2,45 m / 3,05 m | | |
| For scaffolding lengths: 1,85 m / 2,45 m / 3,05 m | | |
| Version: with flap / without flap | | |
| 7. Wheels 200 mm with function for continuous height adjustment | | |
| 8. Wooden boards | | |
| For lengths: 1,85 m / 2,45 m / 3,05 m | | |
| Width: 1,35 m | | |

A Side support (see accessories)



Type 46 Aluminium mobile tower



Space saving:

European scaffolding type 46 is the little brother of European scaffolding type 47. Due to its overall width of 0,75 m - usable width of 0,6 m, this scaffolding may be erected even on very narrow sites.

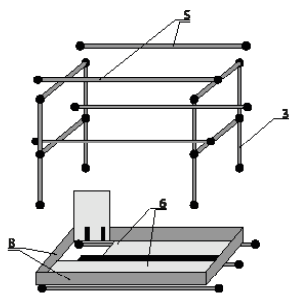
Universal:

Type 46 has all the technical and economical advantages of the type 47. It is versatile in many fields of application and besides all the platforms, connecting struts and wheels are also suited to type 47. Reliability and stability confirmed with practice.

Tested quality:

European scaffolding type 46 is also consistent with the strictest European supervisory requirements and has the same certificates of control as the European scaffolding type 47. European scaffolding is standardized in accordance with modern standards, indoor 12 meters, and outside of buildings up to 8 meters. For higher scaffolding, there is no standard yet. However, due to the stable structure of type 47 it is possible - under certain circumstances - to build higher than that.

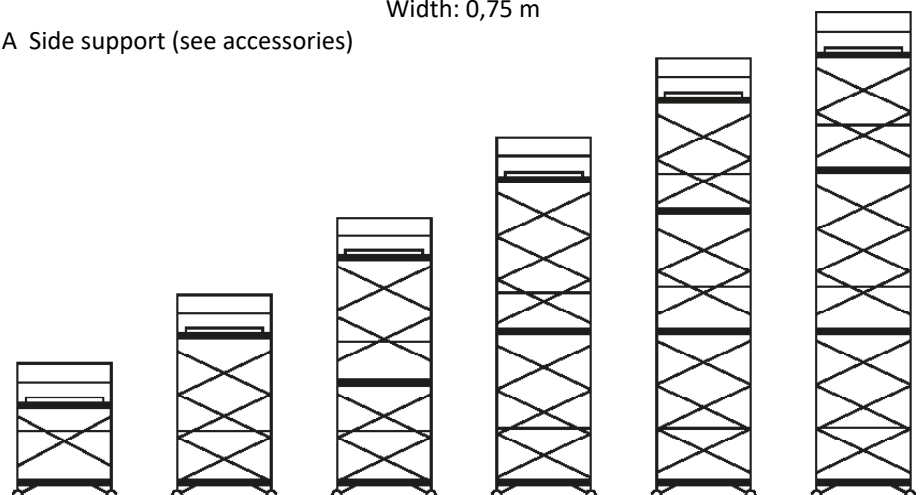
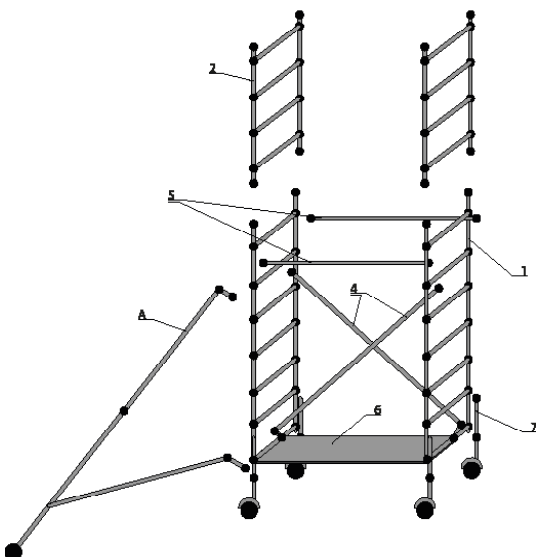
| | |
|-------------------------|--|
| Height | 2,5 m - 12 m (out of standard up to 18 m) |
| Length | 1,85 m / 2,45 m / 3,05 m (other lengths possible on request) |
| Width | 0,75 m + stabilizer |
| Permissible load | 200 kg / m ² max. 500 kg |



Parts type 46:

- | | | | |
|---|---|---------------|---------------|
| 1. Basic mounting frame | Rungs: 7 pcs | Width: 0,75 m | Height: 2 m |
| 2. Adjustable mounting frame | Rungs: 4 pcs | Width: 0,75 m | Height: 1,1 m |
| 3. Railing frame | Rungs: 2 pcs | Width: 0,75 m | Height: 1 m |
| 4. Diagonal strut | For scaffolding lengths: 1,85 m / 2,45 m / 3,05 m | | |
| 5. Horizontal strut | For scaffolding lengths: 1,85 m / 2,45 m / 3,05 m | | |
| 6. Aluminium platform | For scaffolding lengths: 1,85 m / 2,45 m / 3,05 m | | |
| | Version: with flap / without flap | | |
| 7. Wheels 200 mm with function for continuous height adjustment | | | |
| 8. Wooden boards | For lengths: 1,85 m / 2,45 m / 3,05 m | | |
| | Width: 0,75 m | | |

A Side support (see accessories)



Stabilizing supports

49-022 / 49-042

Booms (stabilizers) and possibly ballast weights serve to widen the stand and ensure stability of the Europe scaffolding and are required for almost all installation variants of the scaffolding. The number, type and attachment of the outriggers to be used is very important and depends on the available space and many other factors. With almost all standard heights, no ballast weights are required if the boom is selected accordingly.

Stabilization requirements for type 47:

- 4 pcs (49-022) normal supports for the platform at a height of up to 5.4 m
- 4 pcs (49-042) large supports for the platform at a height of up to 6.2 m

Stabilization requirements for type 46:

- 4 pcs (49-022) normal supports for the platform at a height of up to 4.2 m
- 4 pcs (49-042) large supports for the platform at a height of up to 5.4 m

Weight weighing 20 kg

49-270

By using weights, it is possible to construct higher scaffolding in accordance with standards and with lower stabilizing supports.

Special wheels

49-553

The wheels have a braking system and their diameter is 200 mm, which provides the highest possible load capacity. By continuously adjusting the height, you can level an uneven surface or increase the platform by up to 350 mm. The length of the wheel strut is 0.75 m.

Stepladder

49-124 / 49-126 / 49-128

For comfortable ascent inside the scaffolding.

Aluminium platform

They provide a sufficiently large passage; the flaps close and lock automatically. The wooden floor is waterproof and non-slip.

Side guardrail

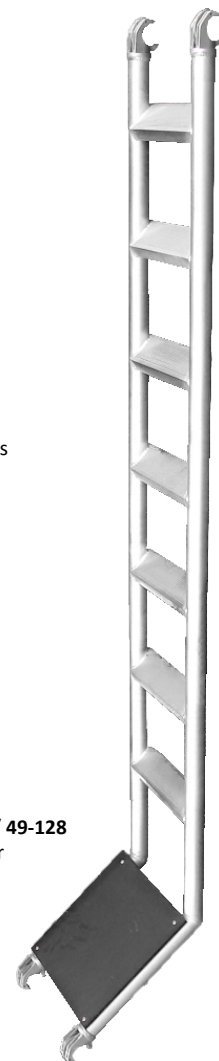
49-271 / 49-272 / 49-273

Replaces diagonal and horizontal struts. Aluminum partitions are variously adjustable and also serve as a protective railing.

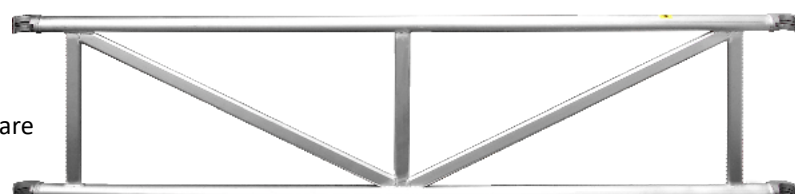
49-022
Side stabilization support



49-553
Special, height-adjustable wheels
with the brake system installed



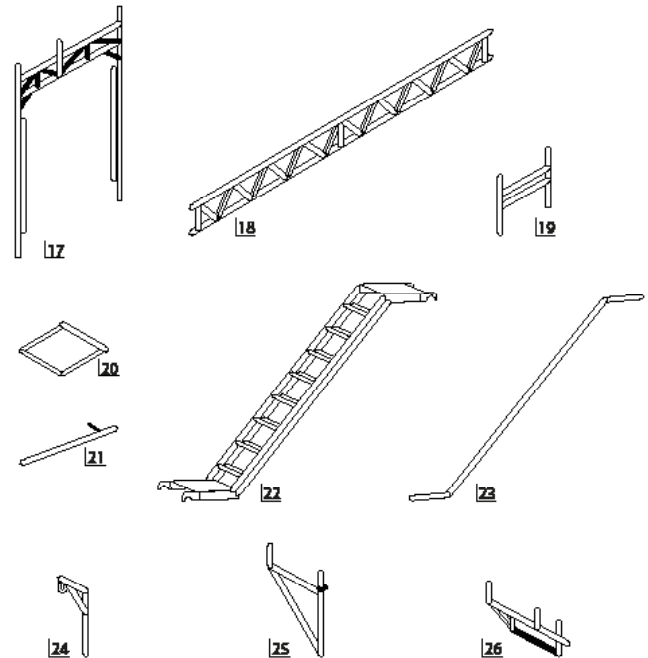
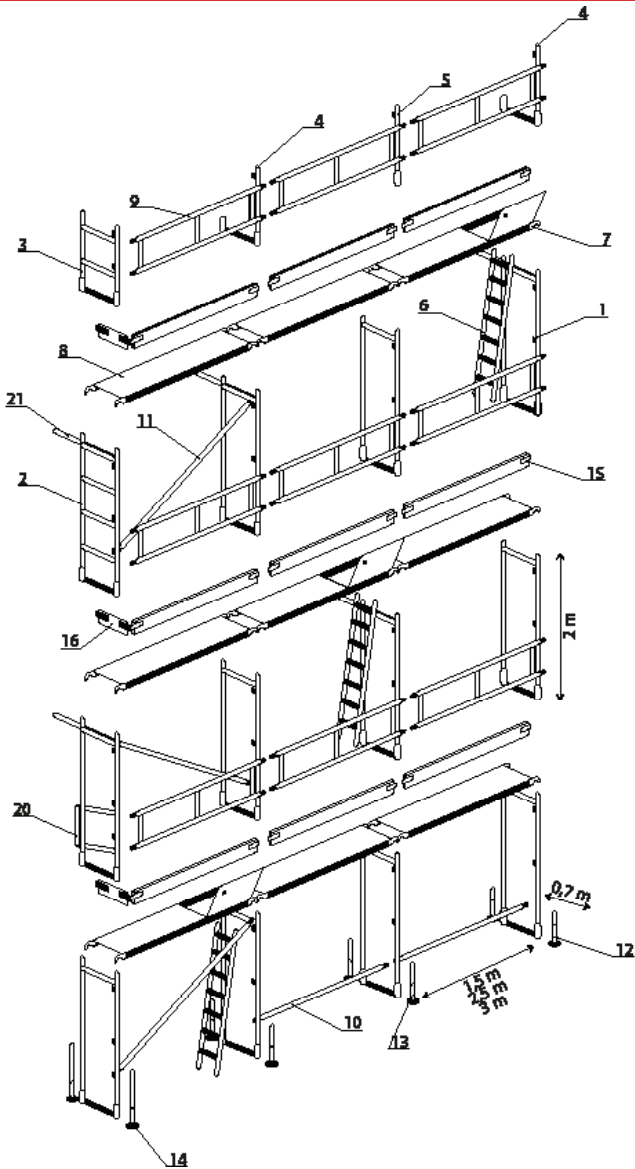
49-124 / 49-126 / 49-128
Stepladder



49-271 / 49-272 / 49-273
Side guardrail

Type 49-7

- specially designed for rapid assembly and disassembly
- manufactured in accordance with HD 1000, ÖNORM B4007 and DIN 4220
- highest quality
- lowest price
- minimum weight
- EASY, FAST and SAFE!



Parts type 49-7:

- | | | |
|--|--|--|
| 1. Through - Aluminium - 4 mm | 9. Double railing 3 m | 18. Longitudinal 6 m |
| 2. End frame - 4 partitions - 4 mm | 10. Horizontal reinforcement 1.5 m | 19. Transverse longitudinal member |
| 3. Half end frame - 2 partitions - 4 mm | 10. Horizontal reinforcement 2.5 m | 20. Front railing |
| 4. Railing holder 1 m | 10. Horizontal reinforcement 3 m | 21. Wall anchor (tubular) 48.3 mm |
| 5. Railing holder 2 m | 11. Diagonal reinforcement 1.5 m | x Coupling |
| 6. Ascent ladder | 11. Diagonal reinforcement 2.5 m | x Double swivel sleeve (tubular) 48.3 mm |
| 7. Platform with lid 1.5 m | 11. Diagonal reinforcement 3 m | x Lower suspension frame for 49-733 |
| 7. Platform with lid 2.5 m | 12. Height-adjustable foot 0.3 m | 22. Steps with double bend for external output |
| 7. Platform with lid 3 m | 13. Height-adjustable foot 0.5 m | 23. Step railings for external ascent 2.5 m |
| x Platform with cover 2.5 m and an integrated ladder | 14. Height-adjustable foot 0.8 m | 24. Frame for pulley system |
| x Platform with lid 3 m and an integrated ladder | 15. Side barrier 1.5 m | 25. Safety net holder |
| 8. Platform without cover 1.5 m | 15. Side barrier 2.5 m | 26. Safety net half holder |
| 8. Platform without cover 2.5 m | 15. Side barrier 3 m | x Connecting pipe 48.3 x 2.8 mm (6 m rod) |
| 8. Platform without cover 3 m | 16. Side barrier - front side | x Connecting pipe 48.3 x 4.05 mm (6 m rod) |
| x Half platform 1.5 m | 17. Structures for creating passages - galvanized, adjustable from 1.6 - 2.6 m | x Facade scaffolding dowel |
| x Half platform 2.5 m | x Roof girder | x Scaffolding anchor with eye 12 x 230 |
| x Half platform 3 m | 18. Longitudinal 2 m | x Scaffolding anchor with eye 12 x 300 |
| 9. Double railing 1.5 m | 18. Longitudinal 3 m | x Scaffolding anchor with eye 12 x 350 |
| 9. Double railing 2.5 m | 18. Longitudinal 4 m | x Structural failure protection |
| | 18. Longitudinal 5 m | |

Ladder scaffolding

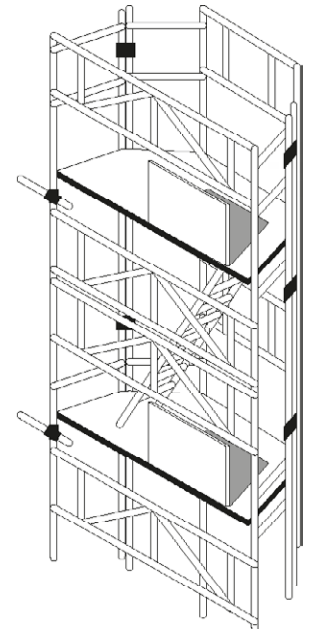
- pad surface of aluminum sheet warts, including mounting bracket for mounting on ladder
- quick-install platform that can also be used for existing ladders from any manufacturer with appropriate load
- can be used as a protective scaffolding (under certain circumstances)
- erection and removal possible without tools and by only 2 people

| | |
|---------------------|-----------|
| Length | 3, 4, 5 m |
| Width | 0,6 m |
| Max. working height | 8 m |



Tank scaffolding

- special stationary or moveable scaffolding to clean or to remediate tanks
- all parts are built to fit through the manholes (access hatches of the tanks)





Type 43 Maintenance scaffolding

The platform area of the mounting frame consists of 5 stages.

The stages can be by far the perfect interaction between the building frame and the adjustable scaffolding which can be placed to the needed height. A particular advantage of the mounting frame is the low weight of the development framework, of the stage and struts.

| | |
|----------------------|-------------------------------------|
| Platform area | 3 x 3 m |
| Height | 1,5 m - 20,1 m |
| Capacity | 200 kg / m ² max. 800 kg |



Type 45-0 Aluminium foldable scaffolding

- practical foldable scaffolding for work in- and outdoors
- simple and reliable
- small for storage and transportation, great for work - working height up to 7,2 m
- aluminum platform with a corrugated Visadeck surface, waterproof and non-skid
- includes 4 swivel castors with brake system
- operation pressure of 250 kg/m², or as a whole 500 kg

| Type | Wide | Narrow |
|-----------------------|-------------------------|-------------|
| Length | 1,8 m | 1,8 m |
| Stage length | 1,6 m | 1,6 m |
| Width | 1,35 m | 0,75 m |
| Platform width | 1,2 m | 0,6 m |
| Working height | 3 m | |
| Capacity | 250 kg / m ² | max. 500 kg |



Type 45-500 - Hobbymat

- optimal small equipment for those who perform their own work at home
- easy to use
- aluminum platform with a corrugated Visadeck surface, waterproof and non-skid
- adjustable height for every 300 mm
- includes 4-wheels with brake
- compact - a platform in the assembled state can be hung vertically



| | |
|---------------------------|-------------|
| Length | 1,6 m |
| Width | 0,65 m |
| Working height | 3 m |
| Overall height | 1,7 m |
| Operation pressure | max. 150 kg |
| Weight | ± 20 kg |



ČERVINKA s.r.o.
NAŠE SLUŽBY – VAŠE BEZPEČNOST

ČERVINKA
CZECH REPUBLIC S.R.O.



Official distributor for Czech republic

130 years of experience



Podolská 103/126
Praha 4, 147 00

Establishment:
Rostislavova 1265,
Uherské Hradiště, 686 01

ČERVINKA s.r.o.
+420 724 437 481
servis@hasicitechnika.com
www.hasicipristroje-cervinka.cz

ČERVINKA - CZECH REPUBLIC s.r.o.
+420 572 570 961
info@hasicitechnika.com
www.cervinkafire.com