

We'll take you to the top

FIRE AND RESCUE LADDERS



Easy

Fast

Safe



ČERVINKA s.r.o.
NAŠE SLUŽBY – VAŠE BEZPEČNOST



ČERVINKA
CZECH REPUBLIC S.R.O.



130 years of experience

Official distributor for Czech republic



ČERVINKA s.r.o.
NAŠE SLUŽBY – VAŠE BEZPEČNOST

ČERVINKA
CZECH REPUBLIC S.R.O.



Official distributor for Czech republic



130 years of experience



Illustrative pictures

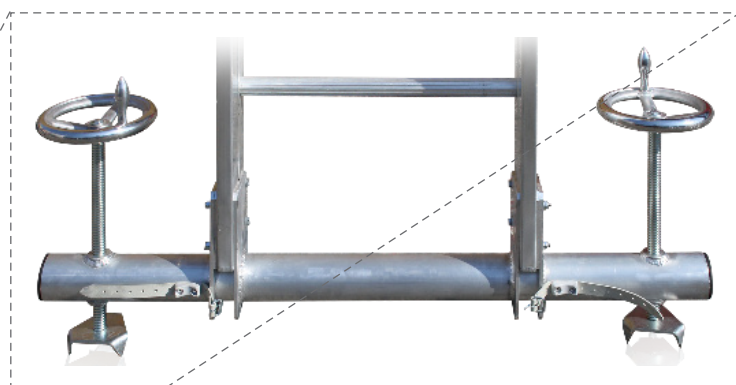
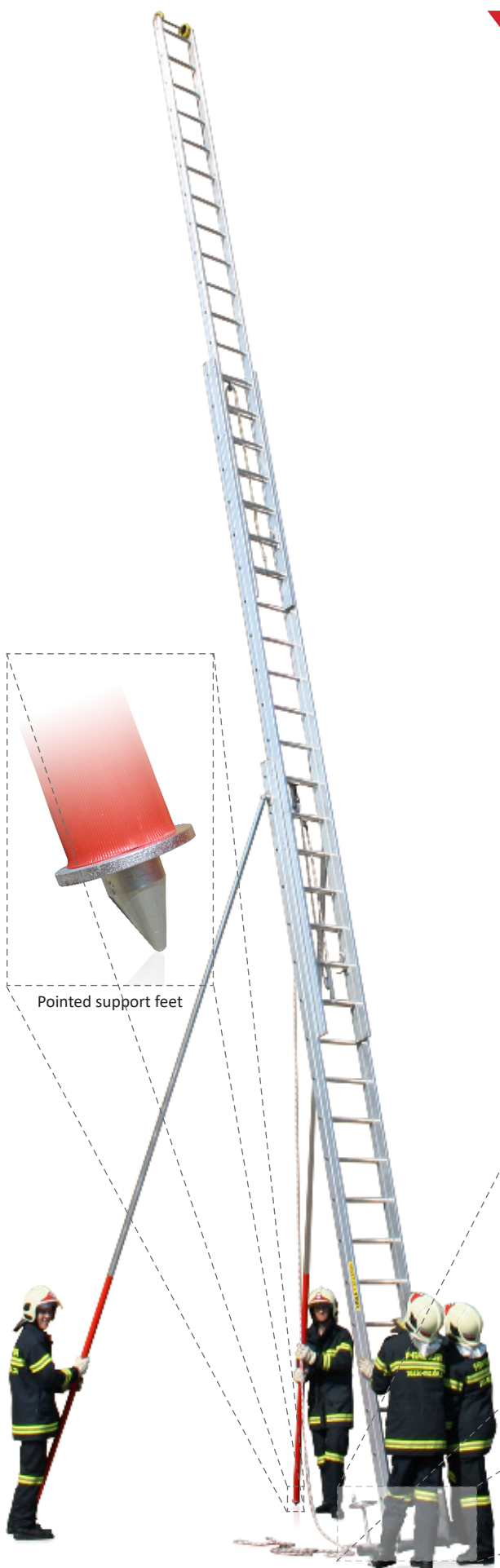
Rescue equipment - Austrian standard

Type FO-700

Aluminium Extension Ladder 3 - part

- tested and manufactured according to ÖNORM F 4047 and EN 1147 standards
- built with swaged firefighting rungs (34 mm in diameter) which are securely milled into the beams
- equipped with side mounted slide guides which reduce friction
- for smooth extension with minimal pull-out force needed
- new ladder slide guides eliminate the need for guide brackets
- new rope brake design: immediately prevents the ladder from collapsing, as well as aids the ladder in folding smoothly
- new design allows for more stability with less weight
- includes new lightweight stabiliser bar
- suitable for a maximum load of 3 persons

Model No.	Quantity of rungs	Length		Weight approx.
		Folded	Extended	
FO-717	3 x 17	5,6 m	12 m	80 kg
FO-719	3 x 19	6,2 m	14 m	84 kg



Stabiliser bar with reinforcement screws

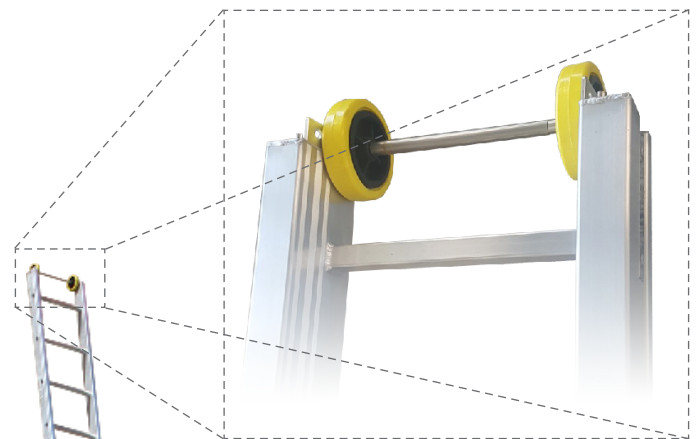
Type FO-600

Aluminium Extension Ladder

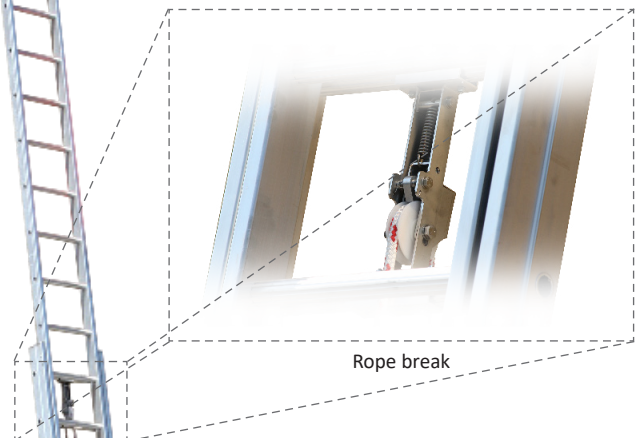
2 - part

- tested and manufactured according to ÖNORM F 4047 and EN 1147 standards
- built with swaged firefighting rungs (34 mm in diameter) which are milled into the beams
- equipped with side mounted slide guides which reduce friction
- for smooth extension with minimal pull-out force needed
- new ladder slide guides eliminate the need for guide brackets
- new rope brake: immediately prevents the ladder from collapsing, as well as aids the ladder in folding smoothly
- new design allows for more stability with less weight
- suitable for a maximum load of 2 persons

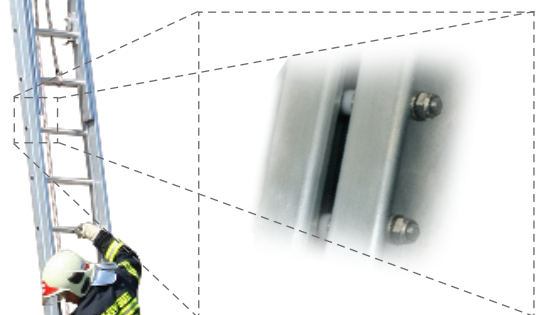
Model No.	Quantity of rungs	Length		Weight approx.
		Folded	Extended	
FO-615	2 x 15	4,7 m	8 m	30 kg
FO-617	2 x 17	5,3 m	9 m	33 kg
FO-619	2 x 19	5,9 m	10 m	36 kg



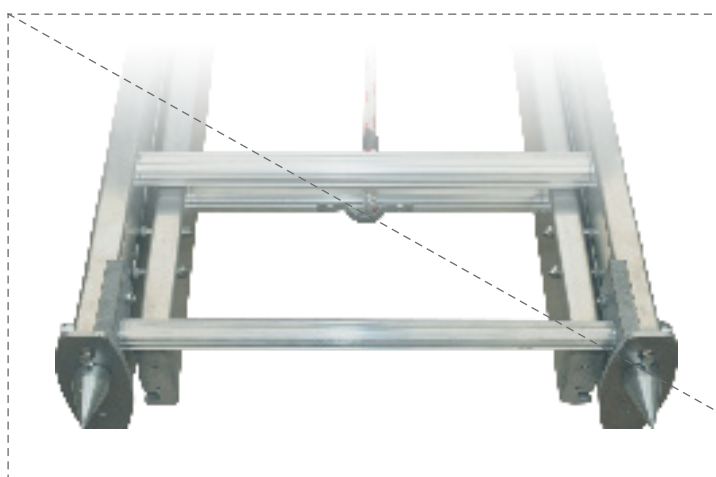
Wall-running wheels



Rope brake



Side mounted slide guides



Placement aid and spiked ladder feet



Aluminium Scaling

Various Applications

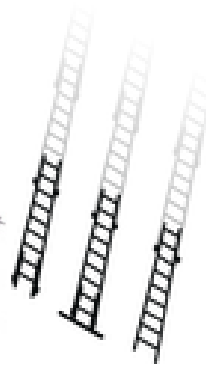
Use as a roof ladder



Leaning Ladder

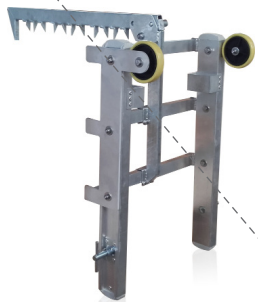
The classic use of the Modular Scaling Ladders with a maximum ladder length of up to 8,4 m. 2 variants:

- 4 x type F-101 combined with a 2-rung attachment
- 3 x type F-101 combined with base part of type F-105



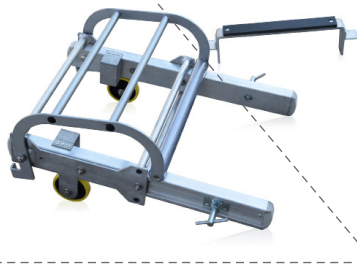
A-Frame Ladder

The F-104 Connection Platform accessory can be used to combine 2 or 4 Scaling Ladder modules to form an A-frame. This can be used with the attached hook to rescue a person from a manhole or as a hose bridge.



FW-100R-046

Hinging spiked steel roof hook



F-120

Roof hook

Trucksaver

The FG-106 extension can be used in combination with the Scaling Ladder modules to create a rescue platform. The resulting platform can be used to rescue people from crashed vehicles. For more information please visit the corresponding product page.



Roof Ladder

With the patented F-120 Roof Hook, the Modular Scaling Ladder becomes a roof ladder in just a few easy steps. Compact storage as well as quick and simple installation, makes the roof hook a unique product which is exclusively manufactured by JUST Leitern AG.



Use as an A-frame for rescue from a manhole

Type F-100

Aluminium Scaling Ladders

- tested and manufactured according to ÖNORM F 4047 and EN 1147 standards
- built with 28 mm deep, corrugated rungs
- can be combined with all popular models
- suitable for a maximum load of 2 persons

Base Module

Model No.	Quantity of rungs	Length	Weight approx.
F-105	9	2,66 m	8,9 kg

Attachment Module

- equipped with a receded rung which allows for easy climbing when using as a base module
- can be combined with F-103 and F-102 to create a base module

Model No.	Quantity of rungs	Length	Weight approx.
F-101	7 (+1)	2,66 m	8,5 kg

2 - Rung Attachment

- used for additional stability and slip resistance
- available with or without stabiliser bar

Model No.	Quantity of rungs	Length	Dimension with stabiliser bar	Weight approx.
F-103	2	0,75 m	-	2 kg
F-102	2	0,85 m	1,2 m	4,5 kg

Connection Platform

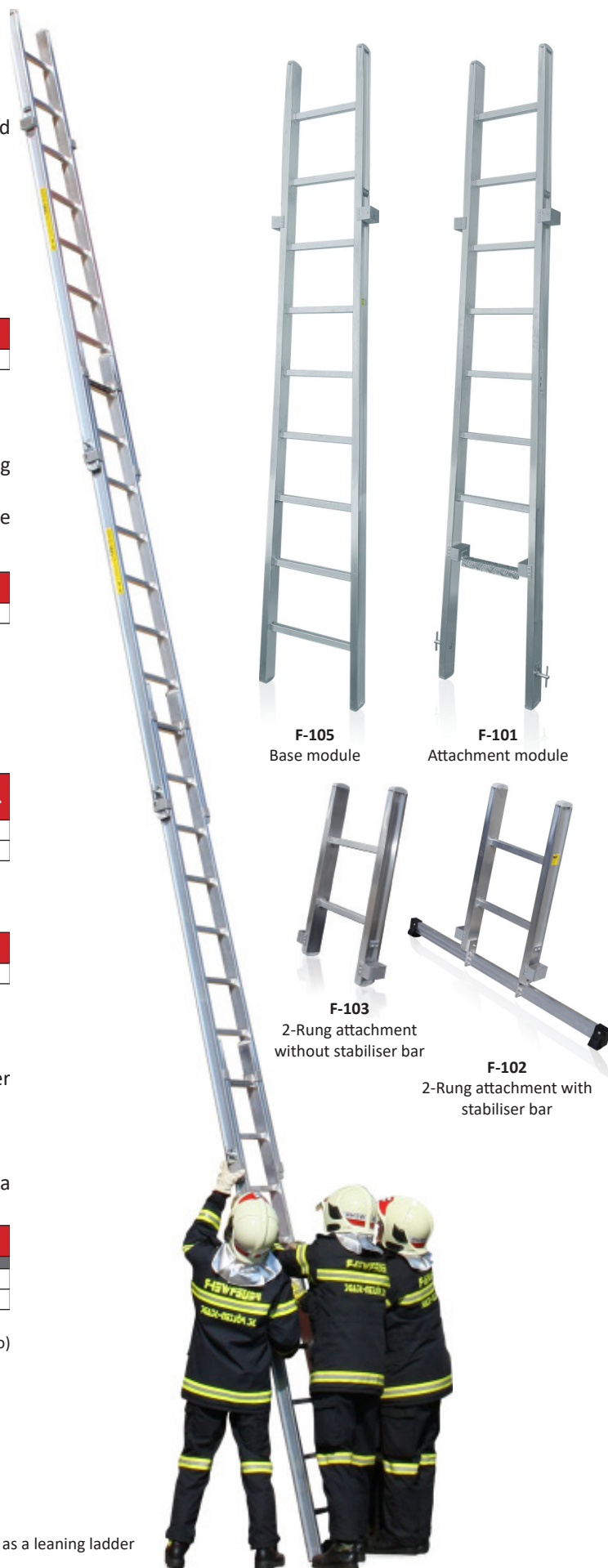
Model No.	Load capacity	Weight approx.
F-104	300 kg	5 kg

Roof Hook

- 2-Piece integral set that transforms a modular scaling ladder into a roof ladder
- foldable and easy to stow
- includes rubber spacer to protect roof from damage
- wheels make it easy to roll the ladder up the roof pitch to a secure hooked position

Model No.	Weight approx.	
F-120	Rubber spacer	Roof hook
	0,8 kg	8,5 kg
FW-100R-046 *	0,8 kg	8 kg

* tento model je navrhnen s ocelovým závěsným střešním hákem (viz obrázek vlevo)



Use as a leaning ladder

Trucksaver



Use as a rescue platform

- since our Truck Saver follows EN 1147 as well as ÖNORM 4047 standards, the Scaling Ladder modules can be combined with those of any other manufacturer that follows these standards
- built with anti-slip platform
- load capacity of up to 300 kg
- smallest necessary dimensions for easy transportation
- lightweight and easy to set-up
- set consists of: one pair of ladder connectors, horizontal bracing and the platform

Model No.	Dimensions for transport			Weight approx.
	Length	Width	Height	
FG-106	1,83 m	0,34 m	0,26 m	26 kg

Další příslušenství

Railing attachment	
Model No.	F-107
Appox. weight	2 kg
Additional railings	
2-Piece platform levelers	
Model No.	F-108
Appox. weight	2,64 kg
For use on uneven terrain. Up to 55 cm. in height difference.	
Floodlight attachment	
Model No.	F-109
Appox. weight	1,3 kg
For easy installation of any standard floodlight.	

Type F-500

Aluminium Combination Ladder 3 - part



F-507
Combination ladder 3-part

- tested and manufactured according to ÖNORM F 4047 standards
- multifunctional; can be used as a step ladder, free-standing ladder, as well as an extension ladder
- built with high quality aluminium alloy square-profile beams and 28mm square-profile rungs
- suitable for a maximum load of 2 persons

Model No.	Quantity of rungs	Length			Weight approx.
		A	B	C	
F-507	3 x 7 m	2,7 m	4 m	5,75 m	16 kg

Type FG-110

Aluminium Hook Ladder

- tested and manufactured according to ÖNORM F 4047 and EN 1147 standards
- extremely lightweight yet durable profile
- built with corrugated firefighting rungs (25 mm in diameter) that are securely milled into the beams
- includes a foldable ladder support bracket
- built with galvanized steel hooks. Includes:
- window spikes
- ring to hold carabiner and rope
- total ladder width of 300mm (312mm with hook)
- suitable for a maximum load of 1 person

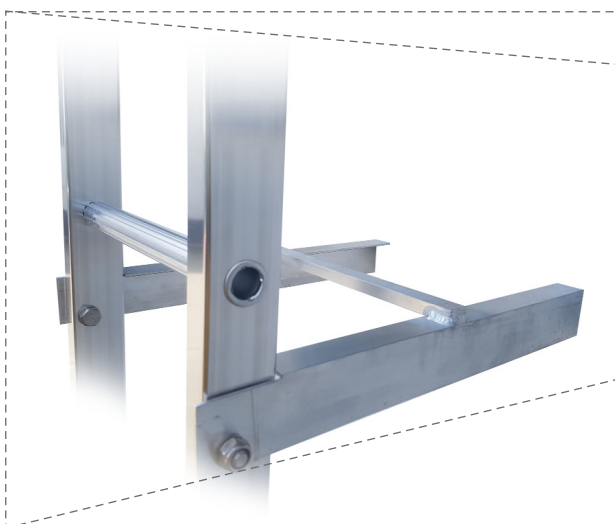
Hook Ladder Type A	
Model No.	FG-110
Ladder length	4,2 m
Quantity of rungs	13
Hook depth	452 mm
Weight hook	5,5 kg
Weight ladder	7,5 kg
Total weight	13 kg
Hook Ladder Type B	
Model No.	FG-115
Ladder Length	4,8 m
Quantity of rungs	13
Hook depth	511 mm
Weight hook	6 kg
Weight ladder	8 kg
Total weight	14 kg



Hook type A



Hook type B



Foldable ladder support bracket

FG-110
Hook ladder type A



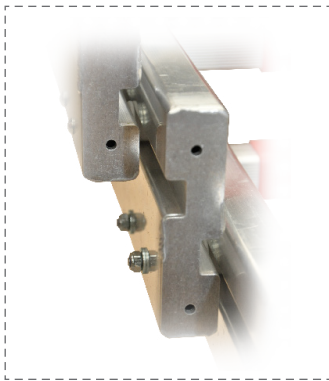
Rescue equipment - German standard

Type FD-700

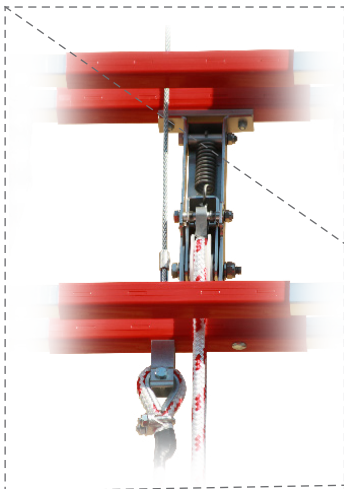
Aluminium Extension Ladder 3 - part

- tested and manufactured according to EN 1147 and DIN Supplement 1 standards
- built with 28 mm square profile reinforced rungs that are securely welded and milled into the beams
- equipped with side mounted slide guides which reduce friction and allow for smooth extension with minimal pull-out force needed
- includes rope brake which stops the ladder from collapsing immediately, as soon as there is no longer any pull on the rope
- built with interchangeable insulated anti-slip plastic rung covers
- suitable for a maximum load of 3 persons

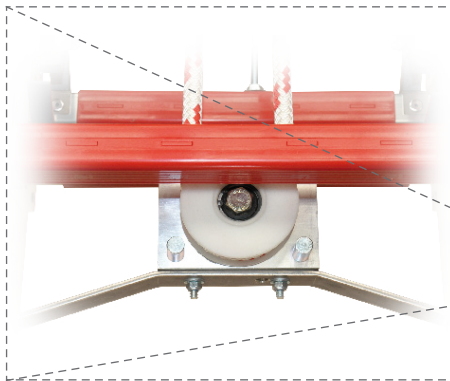
Model No.	Quantity of rungs	Length		Weight approx.
		Folded	Extended	
FD-717	3 x 17	5,6 m	14 m	70 kg



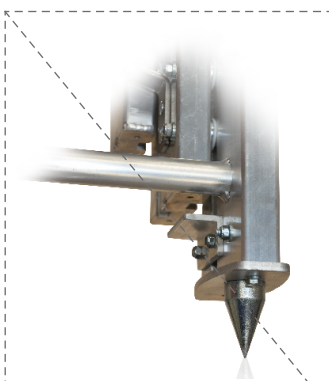
Side mounted slide guides



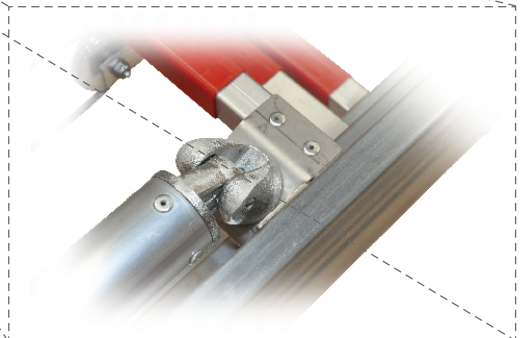
Rope brake



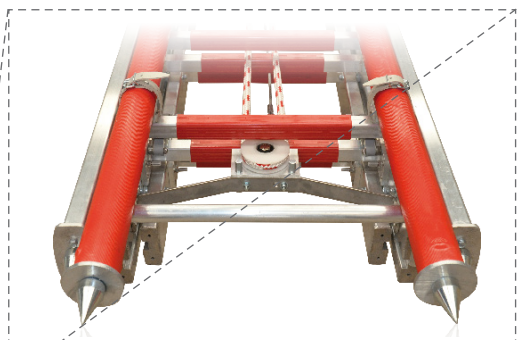
Rope and pulley system



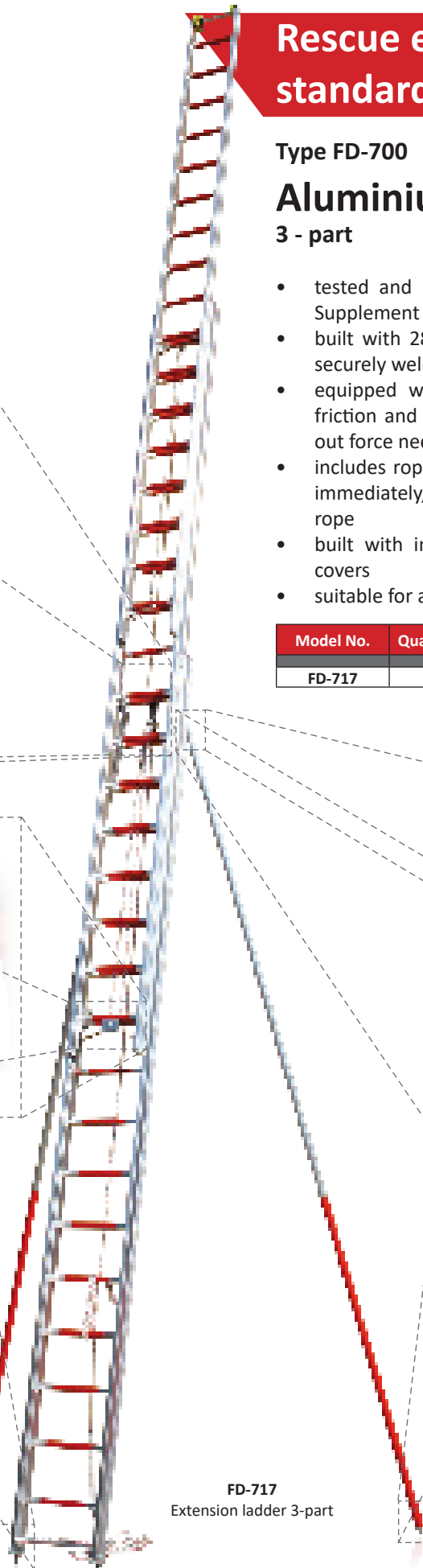
Extension aid and pointed ladder foot



Stabiliser-ladder socket joint



Supports with pointed feet



FD-717
Extension ladder 3-part

Type FE-500

Combination Ladder

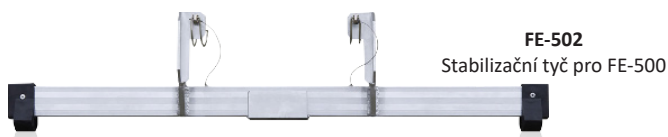
- tested and manufactured according to EN 1147 and DIN Supplement 1 standards
- ideal for rescue vehicles with limited space capacity
- built with interchangeable insulated and anti-slip plastic rung covers
- multifunctional; can be used as: stepladder (A), free-standing ladder (B), extension ladder (C), roof ladder, temporary light post, emergency bridge and hose guide
- suitable for a maximum load of 2 persons

Model No.	Length			Weight approx.
	A	B	C	
FE-501	2,3 m	3,4 m	4,55 m	26,5 kg

Stabiliser bar

- used to increase ladder stability
- quick and easy to install

Model No.	Dimension			Weight approx.
	Length	Width	Height	
FE-502	1,02 m	0,13 m	0,22 m	2,5 kg



Ladder leveler

- allows for ladder use on stairs or uneven ground
- adjustable to suit environment; for a height difference up to 0.3 m

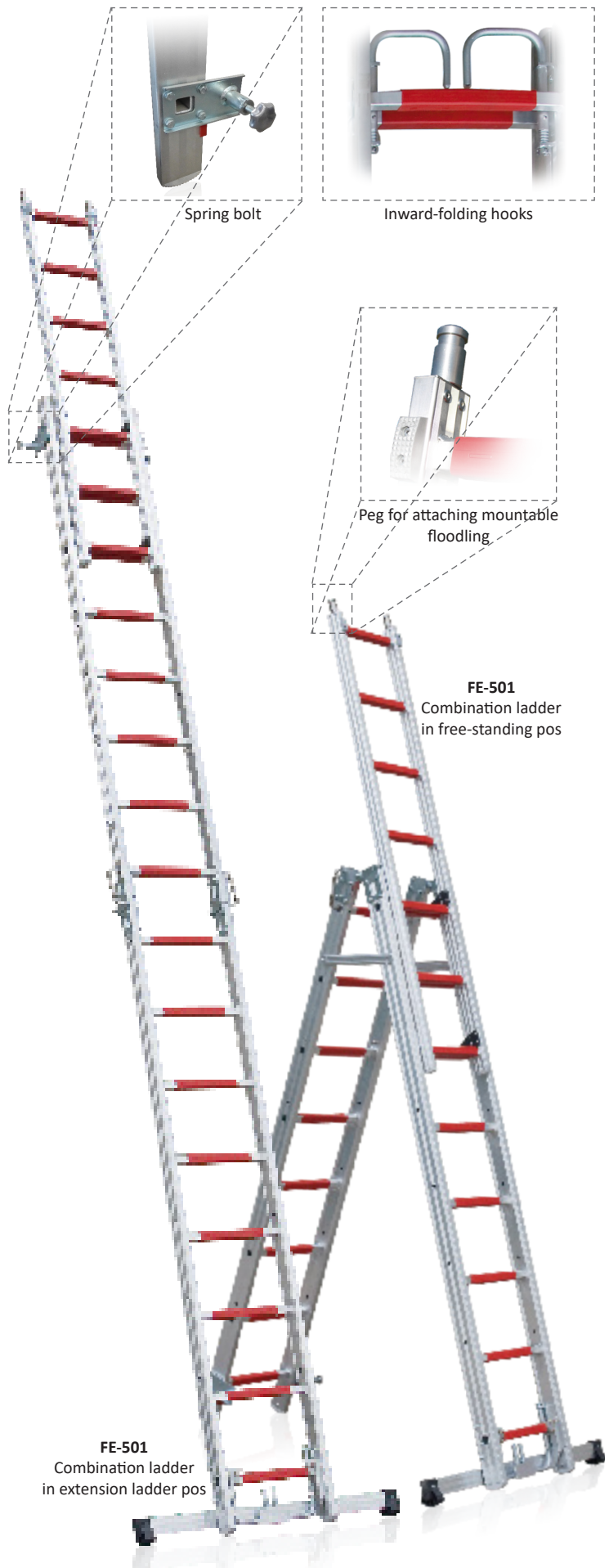
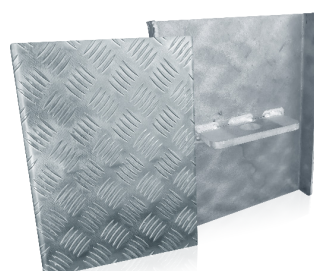
Model No.	Weight approx.
FE-504	2 kg

Kopfhalter

- schnelle Montage an den obersten beiden Sprossen bei Verwendung als Stehleiter
- mit Haken für Abseilgerät, z.B. für eine Schachttrettung

Model No.	Weight approx.
FE-503	1,2 kg

FE-503
Platform attachment
(top and bottom view)



Aluminium Scaling Ladders

Use as a roof ladder



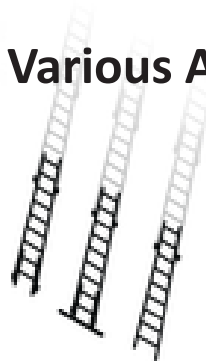
Scaling Ladders are characterized by their impeccable workmanship and versatility. The broad variety of accessories makes these ladders a popular companion in firefighting operations. Made from high quality alloyed aluminium, the square-profile rungs are welded into the milled beams, ensuring a secure hold. Our ladders also use an intuitive locking mechanism which makes connecting and disconnecting the ladder parts extremely simple and timely. To correspond with the new DIN addition, all ladders are equipped with insulated and anti-slip plastic rung covers.

Various Applications

Leaning Ladder

The classic use of the Modular Scaling Ladders with a maximum ladder length up to 8,4 m.
2 variants:

- 4 x type FE-106 combined with a 2-rung attachment (FE-102 or FE-107)
- 3 x type FE-106 combined with base part to FE-105



A-frame ladder

The F-104 Connection Platform accessory can be used to combine 2 or 4 Scaling Ladder modules to form an A-frame. This can be used with the attached hook to rescue a person from a manhole or as a hose bridge.



Trucksaver

The FG-106 extension can be used in combination with the Scaling Ladder modules to create a rescue platform. The resulting platform can be used to rescue people from crashed vehicles. For more information please follow this link.



Roof Ladder

With the patented F-120 Roof Hook, the Modular Scaling Ladder becomes a roof ladder in just a few easy steps. Compact storage as well as quick and simple installation, makes the roof hook a unique product which is exclusively manufactured by JUST Leitern AG.



FE-105
Base module



FE-106
Attachment module



FE-102
2-rung attachment
with stabiliser bar



FE-107
2-rung attachment
without stabiliser bar

Type FE-100

Aluminium Scaling Ladder

- Aluminium Scaling Ladder
- tested and manufactured according to EN 1147 and DIN Supplement 1 standards
- built with interchangeable, insulated, anti-slip plastic rung covers
- made with 28 mm corrugated square-profile rungs
- can be combined with all popular models
- suitable for a maximum load of 2 persons

Base Module

Model No.	Number of rungs	Length	Weight approx.
FE-105	9	2,66 m	8,5 kg

Attachment module

- can be combined with FE-107 and FE-102 to create a base

Model No.	Number of rungs	Length	Weight approx.
FE-106	7	2,66 m	8 kg

2-rungs attachment module

- used for additional stability and slip resistance
- available with or without stabiliser bar

Model No.	Number of rungs	Length	Stabiliser bar size	Weight approx.
FE-107	2	0,75 m	-	2 kg
FE-102	2	0,85 m	1,2 m	4,5 kg

Connection platform

Model No.	Load capacity	Weight approx.
FE-104	300 kg	5 kg

Roof Hook

- 2-Piece integral set that transforms a Modular Scaling Ladder into a roof ladder
- foldable and easy to stow
- includes rubber spacer to protect roof from damage
- wheels make it easy to roll the ladder up the roof pitch to a secure hooked position

Model No.	Weight approx.	
	Rubber spacer	Roof hook
F-120	0,8 kg	8,5 kg
FW-100R-046 *	0,8 kg	8 kg

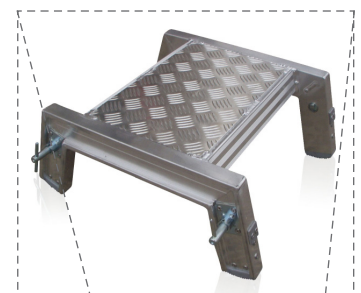
* This model is designed with a hinging spiked roof hook. (see image)



F-120
Roof hook



FW-100R-046
Hinging spiked steel roof hook



FE-104
Connection platform

Use as straight ladder

Use as hose bridge



FEG-110
Hook ladder

Type FEG-110

Hook ladder

- tested and manufactured according to EN 1147 and DIN Addition 1 standards
- includes folding spiked steel hook (see image)
- built with spacers on both beams
- suitable for a maximum load of 1 person

Model No.	Number of rungs	Length	Weight approx.
FEG-110	12	4,4 m	13 kg

Type FE-130

Rescue platform according to DIN 14830

The Rescue Platform is lightweight, easy to transport and quick to install. It is an excellent tool in the field of human rescue.

- tested and manufactured according to DIN 14830 standards
- load capacity of up to 500 kg
- platform tread made of non-slip material; safe to use in rain, ice and snow
- height adjustable in 25 cm-step increments
- each foot has a separate leveler to allow use on uneven terrain
- includes attachable and foldable railing (for one side)
- made with anti-slip plastic feet on all four platform legs
- maximum height of 1,6 m
- 20 years of warranty



FEG-130
Rescue platform
according to DIN 14830

Model No.	Load capacity	Folded dimension in m			Weight approx.
		Length	Width	Height	
FE-130	500 kg	1,95 m	0,95 m	0,32 m	44 kg

Wheel set for rescue platform FE-130

- for use on railway tracks
- speedy assembly
- includes 4 wheels on 2 axles

Model No.	Weight approx.
FEG-131	13 kg



FEG-131
Wheel set for FE-130
(for equipment transportation)

Rescue equipment to british standards

We offer a wide range of Fire Service ladders that comply with all procedures and specifications of BS EN-1147 standards, therefore also meeting the requirements of the British Fire Services and Relief Organisations.

Type UK-TE

Aluminium extension ladder

3 - part, rope operated

- tested and manufactured according to EN 1147 and BS
- built with 28 mm reinforced square-profile rungs that are milled and welded to the beams
- side mounted slide guide allows for smooth and easy extension with minimal force needed
- built with an automatic rope brake for additional safety
- suitable for a maximum load of 3 persons

Model No.	Number of rungs	Length		Weight approx.
		Folded	Extended	
UK-TE-10.5	3 x 14	4,4 m	10,5 m	60 kg
UK-TE-12.5	3 x 18	5,7 m	12,5 m	89 kg
UK-TE-13.5	3 x 20	6 m	13,5 m	92 kg

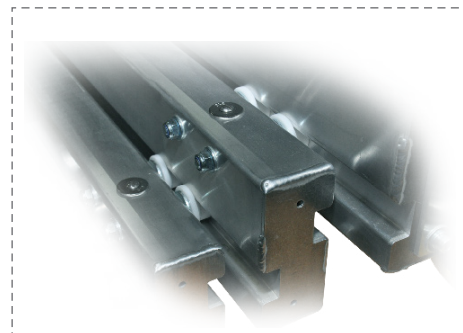
Type UK-TEP

Aluminium extension ladder

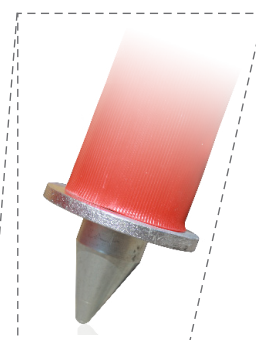
3 - part

- tested and manufactured according to EN 1147 and BS
- built with 28 mm reinforced square-profile rungs that are milled and welded to the beams
- equipped with manual hooks
- suitable for a maximum load of 3 persons

Model No.	Number of rungs	Length		Weight approx.
		Folded	Extended	
UK-TEP-5.5	3 x 7	2,4 m	5,5 m	14 kg
UK-TEP-6	3 x 8	2,5 m	6 m	16 kg
UK-TEP-6.5	3 x 9	2,8 m	6,5 m	18 kg

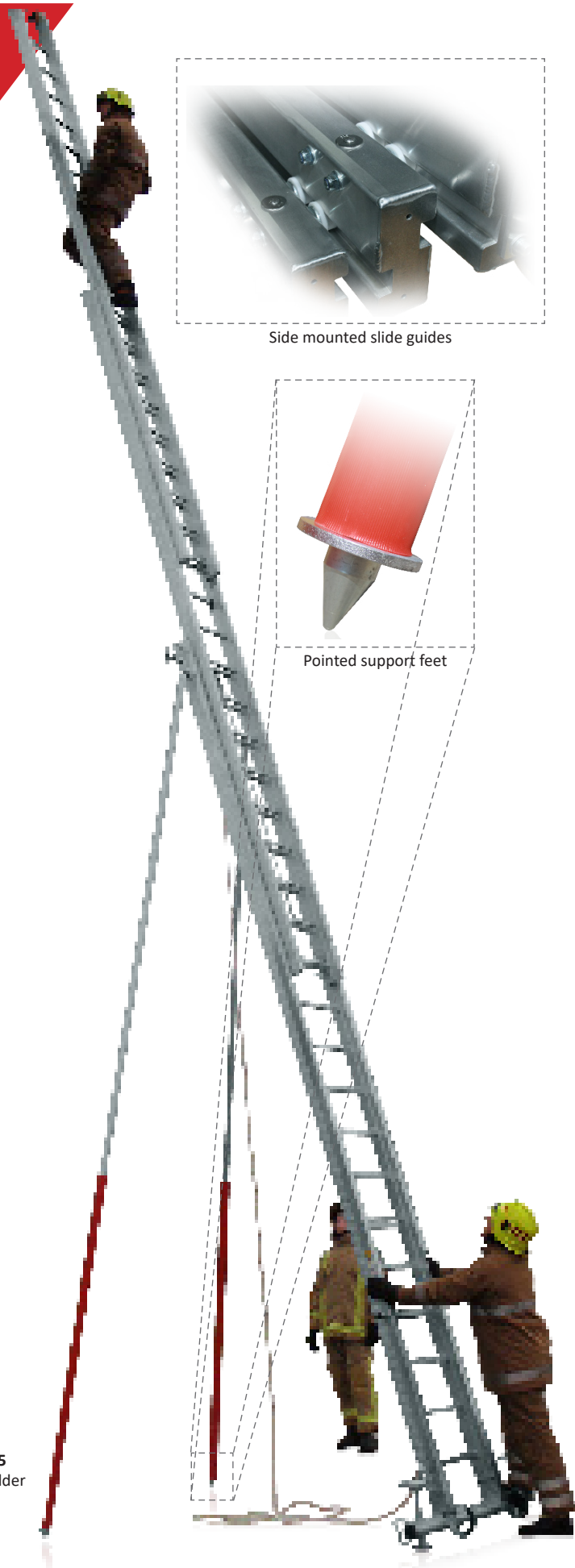


Side mounted slide guides



Pointed support feet

UK-TE-13.5
Extension ladder
3-part



Type UK-DE

Aluminium extension ladder

2 - part, rope operated

- tested and manufactured according to EN 1147 and BS
- built with 28 mm reinforced square-profile rungs that are milled and welded to the beams
- side mounted slide guide allows for smooth and easy extension
- built with an automatic rope brake for additional safety
- suitable for a maximum load of 3 persons

Číslo modelu	Number of rungs	Length		Weight approx.
		Složený	Plně vysunutý	
UK-DE-9	2 x 18	5,5 m	9 m	43 kg
UK-DE-10	2 x 20	6 m	10 m	47 kg
UK-DE-10.5	2 x 21	6,3 m	10,5 m	50 kg

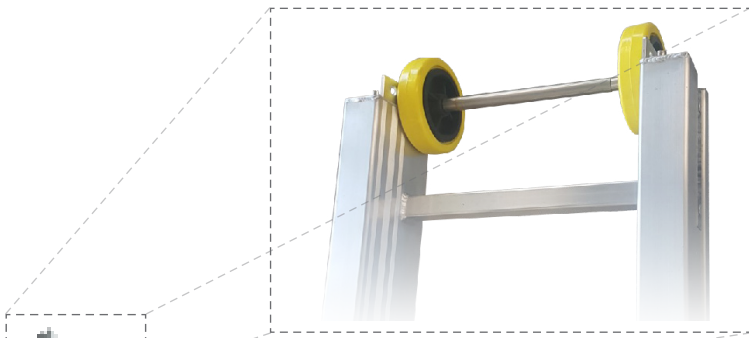
Type UK-DEP

Aluminium extension ladder

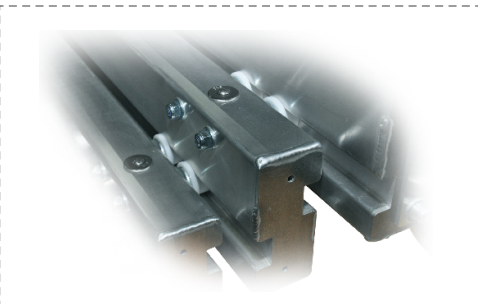
2 - part

- tested and manufactured according to EN 1147 and BS
- built with 28 mm reinforced square-profile rungs that are milled and welded to the beams
- equipped with manual hooks
- suitable for a maximum load of 3 persons

Model No.	Number of rungs	Length		Weight approx.
		Folded	Extended	
UK-DEP-4.5	2 x 8	2,7 m	4,5 m	10,5 kg
UK-DEP-5	2 x 9	2,9 m	5 m	12,5 kg
UK-DEP-5.5	2 x 10	3,3 m	5,5 m	14,5 kg
UK-DEP-6	2 x 11	3,6 m	6 m	16,5 kg



Wall-running wheels



Side mounted slide guides



UK-DE-10.5
Extension ladder
2-part



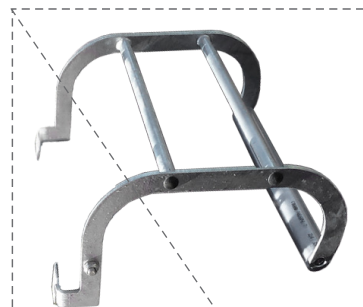
Anti-slip plastic feet

Type UK-RL

Aluminium roof ladder

- tested and manufactured according to EN 1147 and BS
- built with 28 mm reinforced square-profile rungs that are milled and welded to the beams
- includes water-cut, galvanized, roof hook that locks into position
- suitable for a maximum load of 1 person
- total ladder width of 290mm

Model No.	Number of rungs	Length	Weight approx.
UK-RL-4.5	13	4,5 m	13 kg
UK-RL-5	15	5 m	14 kg
UK-RL-5.5	17	5,5 m	15 kg
UK-RL-6	18	6 m	16 kg
UK-RL-6.5	20	6,5 m	17 kg



Roof hook

Type UK-RLF

Foldable roof ladder

- this model is like Type UK-RL with the addition of aluminium joints which allow it to fold for easy storage and transportation

Model No.	Number of rungs	Length		Weight approx.
		Složený	Plně vysunutý	
UK-RLF-4.5	13	2,5 m	4,5 m	14 kg
UK-RLF-5	15	2,75 m	5 m	15 kg
UK-RLF-5.5	17	3 m	5,5 m	16 kg
UK-RLF-6	18	3,25 m	6 m	17 kg
UK-RLF-6.5	20	3,5 m	6,5 m	18 kg



UK-ESFLW-3.5
Foldable for easy transportation



UK-RLF-4.5
Foldable roof ladder

Type UK-RLF

Wide foldable roof ladder

- like Type UK-RLF, but with a total width of 345 mm

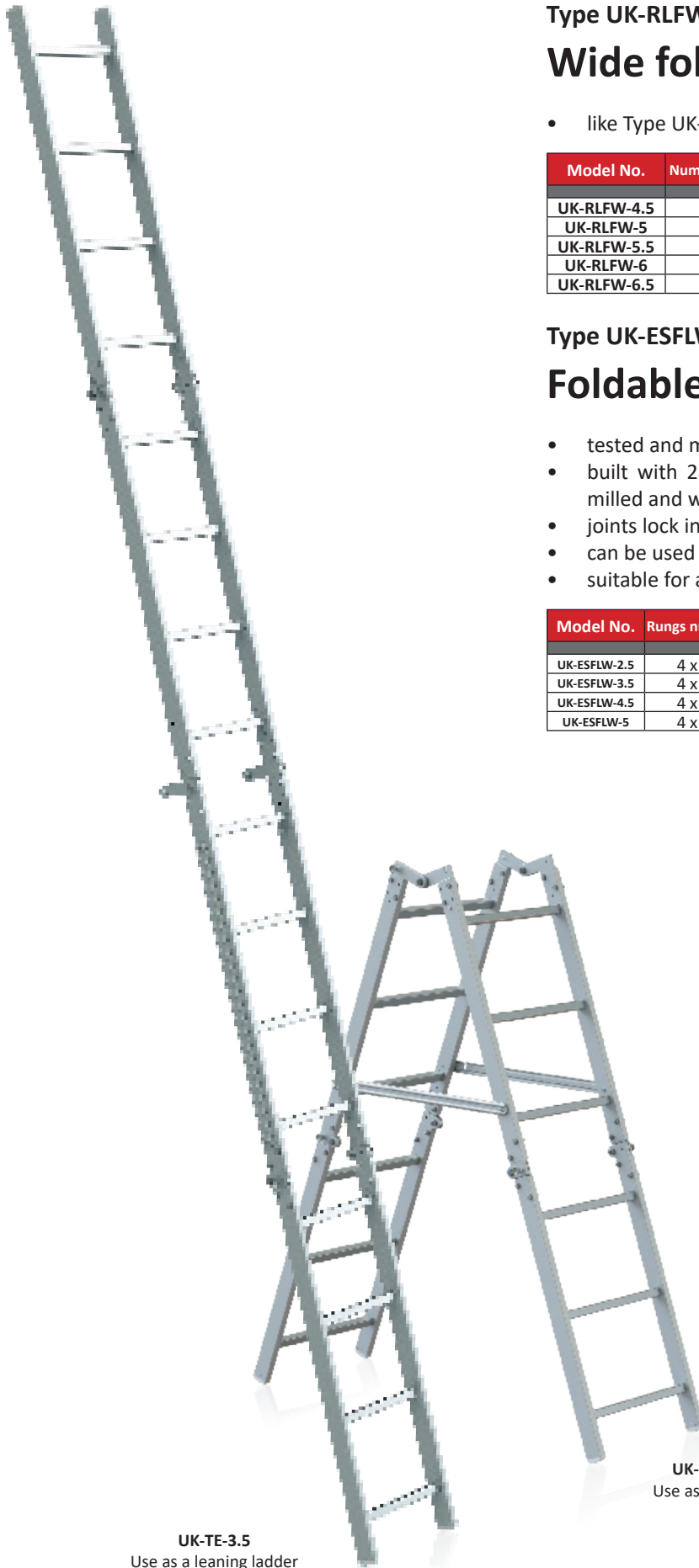
Model No.	Number of rungs	Length		Weight approx.
		Folded	Extended	
UK-RLF-4.5	13	2,5 m	4,5 m	16 kg
UK-RLF-5	15	2,75 m	5 m	17 kg
UK-RLF-5.5	17	3 m	5,5 m	18 kg
UK-RLF-6	18	3,25 m	6 m	19 kg
UK-RLF-6.5	20	3,5 m	6,5 m	20 kg

Type UK-ESFLW

Foldable aluminium ladder

- tested and manufactured according to EN 1147 and BS
- built with 28 mm reinforced square-profile rungs that are milled and welded to the beams
- joints lock into place and ensure a secure climb
- can be used as both a stepladder and leaning ladder
- suitable for a maximum load of 2 persons

Model No.	Rungs number	Length			Weight approx.
		Folded	Step ladder	Leaning ladder	
UK-ESFLW-2.5	4 x 2	0,65 m	1,16 m	2,5 m	10 kg
UK-ESFLW-3.5	4 x 3	0,95 m	1,72 m	3,5 m	12,5 kg
UK-ESFLW-4.5	4 x 4	1,24 m	2,27 m	4,5 m	15 kg
UK-ESFLW-5	4 x 5	1,39 m	2,55 m	5 m	17,5 kg



UK-TE-3.5
Use as a leaning ladder

UK-ESFLW-3.5
Use as a stepladder

Drop-down ladder rack

Manufactured from high quality corrosion and UV resistant materials such as stainless steel, aluminium and plastic.

- roller bearing wheels allow for effortless operation
- customized gantrys, perfect for carrying hoses, equipment boxes or other rescue equipment are available on request

Type GT-100

Gantry for ladders without stabiliser bar

- profile length of 6,3 m
- suitable for ladders at transport length of up to 6,2 m

Model No.	Suitable for
GT-110	Type UK-DE Extension Ladder 2-Part
GT-120	Type UK-TE Extension Ladder 3-Part
GT-130	Type FO-600 Extension Ladder 2-Part
GT-140	Type FD-700 Extension Ladder 3-Part
GT-100R	For all other types of ladders

Type GT-200

Gantry for ladders with stabiliser bar

- profile length of 5,9 m
- suitable for ladders at transport length of up to 6,2 m
- roller bearing wheels allow for smooth gliding

Model No.	Suitable for
GT-210	Type FO-700 Extension Ladder 3-Part with Stabiliser Bar
GT-220	Type UK-TE Extension Ladder 3-Part with Stabiliser Bar
GT-200R	For all other types of ladders

Type GT-300

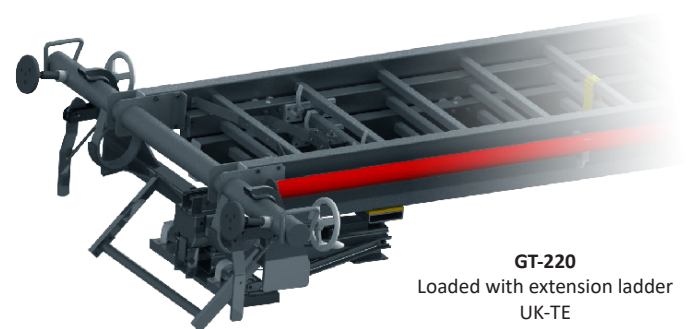
Zvedák

- profile length 3,15 m
- suitable for ladders at transport length of up to 3,5 m
- roller bearing wheels allow for smooth operation

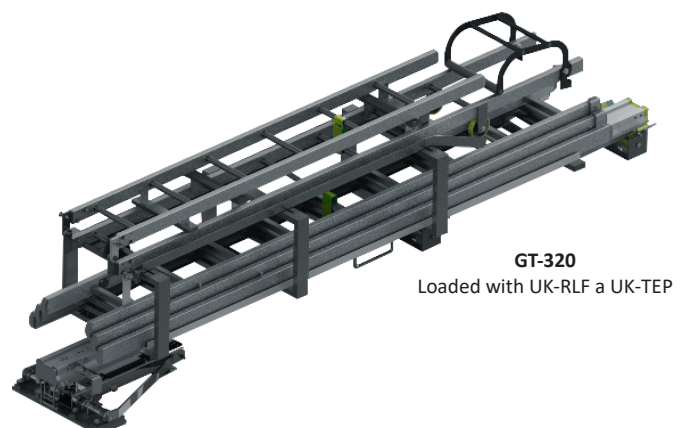
Model No.	Suitable for
GT-310	Type UK-DEP Extension Ladder 2-Part not rope operated combined with UK-RLF Roof Ladder
GT-320	Type UK-TEP Extension Ladder 3-Part not rope operated combined with UK-RLF Roof Ladder
GT-330	Type UK-RLF Roof Ladder
GT-340	Type F-100 Extension- or Type FE-100 Extension Ladder
GT-300R	For all other types of ladders or fire service accessories



GT-140
Loaded with FD-717



GT-220
Loaded with extension ladder
UK-TE



GT-320
Loaded with UK-RLF a UK-TEP

The right choice for any job

Each of our rear access ladders are uniquely made and measured to perfectly suit your requirements. From consulting and planning, to delivery and installation - all ladder parts are individually tailored to your needs.

High quality materials, proven manufacturing processes, and years of experience ensure excellent quality for every rear access ladder.

Aluminium rear access ladders

- manufactured from high quality corrosion and UV resistant materials such as stainless steel, aluminium and plastic
- from the ladder's length to its function: we manufacture according to your needs and dimensions.



Example 1: With hinged section located on the bottom

Example 2: With hinged section and top platform



Example 3: Mounted on an emergency vehicle



Example 3: Ladder lowers completely

Example 4: Fixed alignment

Type 79-100

Trolleys

The Equipment Trolley aids in optimising warehouse and material logistics and help to save both time and energy.

- with a handle brake system and directional locks on each castor wheel, the equipment trolley can be easily used by one person
- the trolley's effortless and ergonomic function significantly reduces the burden on emergency services, particularly in the transportation of bulky and heavy equipment
- suitable vehicles can be loaded quickly and easily with the equipment Trolley via a loading ramp or lift
- JUST Equipment Trolleys are made with high-quality materials that guarantee durability and longevity

Trolley with platform

The Equipment Trolley is extremely versatile and is the basis for all other products in the range. Have a specific requirement? Also offers custom variations of this product.

- versatile and adaptable
- platform made of a weather-proof non-slip wood screen printed plate
- built with ball bearing, smooth running wheels
- directional locks included on castors
- includes ergonomic integrated handle bar with insulated non-slip sheathing
- operated by a handle brake (or „dead man's switch“)
- dimensions: 1200mm x 800mm x 1223mm (L/W/H)
- also available with upper platform (79-102)



Model No.	Details	Load capacity	Weight approx.
79-101	Vozík s 1 plošinou	500 kg	46 kg
79-102	Vozík se 2 plošinami	500 kg	72 kg

79-101
Trolley with 1 platform



79-101
Trolley with 2 platforms



Trolley with lattice container

This trolley additionally secures the load with lattice side-panels.

- similar to 79-101, but with the addition of hot dip galvanized laser cut lattice side-panels
- upper half of the right side panel can fold down for easy loading and unloading



Model No.	Details	Load capacity	Weight approx.
79-103	Vozík s přihrádkou	500 kg	96 kg



79-103
Trolley with lattice container

Trolley for Type-b hoses

This trolley is ideal for transporting Type-B hoses of up to 500m in length.

- similar to 79-101, with the addition of 6 smooth, moisture-repellent partitions
- 5 bays, each 133mm wide
- dimensions: 1200mm x 800mm x 1325mm (L/W/H)



79-104
Trolley for hos

Model No.	Details	Load capacity	Weight approx.
79-104	Vozík pro hadice typu B	500 kg	96 kg

Rear access ladders

Simple, safe and strong

Telescopic - ladder for firefighters

The undisputed No. 1

Since their beginning in the 90's, TELESTEPS is creating extraordinary telescopic ladder solutions. As a direct partner we are happy to be able to extend their products to our customers and add it to our rich portfolio of ladders and scaffolding. (please click here to get to the product page of TELESTEPS ladders designated to private use).

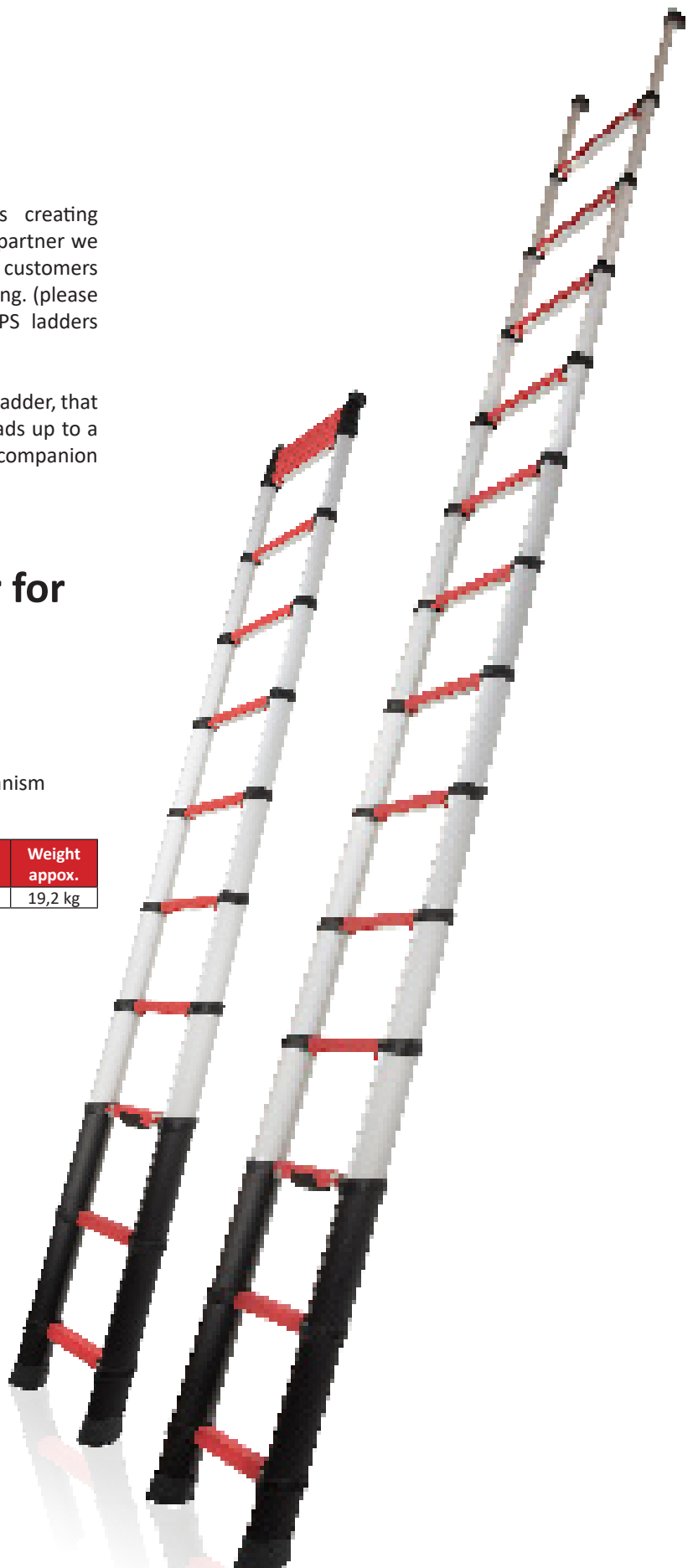
The Telesteps-Firefighter-Ladder is the first telescopic ladder, that can hold 3 people at the same time. It can handle loads up to a maximum weight of 500 kg and is therefore a perfect companion at firefighting operations.

75-413

TELESTEPS - leaning ladder for firefighters

- useable by 3 people at the same time
- up to a maximum load of 500 kg
- made out of high quality anodized aluminium
- safe and simple unlocking of the extending mechanism
- rubber anti-slip safety feet

Model No.	No. of treads	Length	Tread width	Working height	Width	Weight approx.
75-413	13	1,17 - 4,1 m	50 mm	5 m	0,47 m	19,2 kg





ČERVINKA s.r.o.
NAŠE SLUŽBY – VAŠE BEZPEČNOST

ČERVINKA 
CZECH REPUBLIC S.R.O.



Official distributor for Czech republic

130 years of experience





ČERVINKA s.r.o.
NAŠE SLUŽBY – VAŠE BEZPEČNOST

ČERVINKA
CZECH REPUBLIC S.R.O.



Official distributor for Czech republic

130 years of experience



Podolská 103/126
Praha 4, 147 00

Establishment:
Rostislavova 1265,
Uherské Hradiště, 686 01

ČERVINKA s.r.o.
+420 724 437 481
servis@hasicitechnika.com
www.hasicipristroje-cervinka.cz

ČERVINKA - CZECH REPUBLIC s.r.o.
+420 572 570 961
info@hasicitechnika.com
www.cervinkafire.com